

ENERPAC[®]
Hydraulic Technology Worldwide

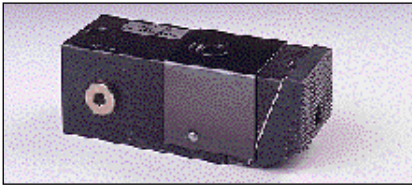
Use the pull-down clamp set for unobstructed top surface machining.

SPEED, POWER, ACCURACY, REPEATABILITY

Starter Set No. SWE-202AM



- Increase productivity by reducing machining cycle time
- Improve part quality
- Improve the efficiency of your production machines



Included in the SWE-202AM set:

Hydraulic pull-down clamp model ECH-202

- Independent horizontal and vertical clamping effects
- SAE ports allow easy plumbing
- Hardened ribbed clamping jaw included



Hydraulic hose

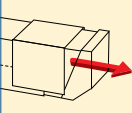
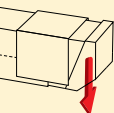
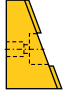

- 2 m length
- Flexible and easily mounted

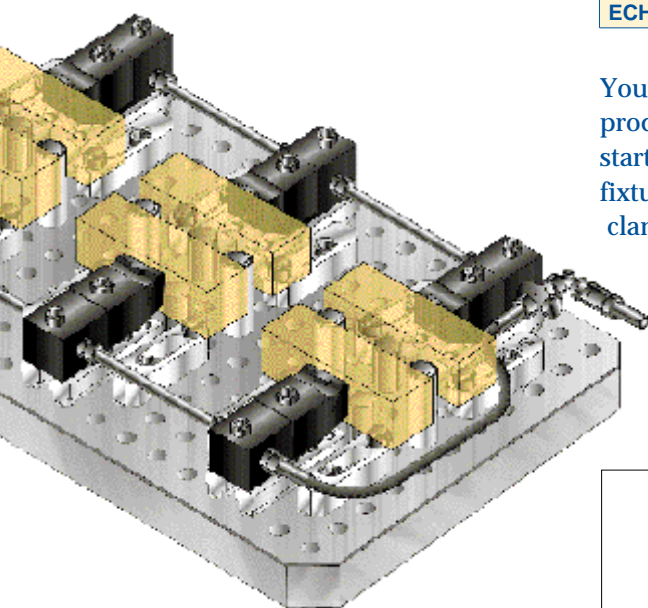


Turbo Air Hydraulic pump model PAS-5002PB

- Use with any standard shop compressor
- Automatic restart operation for reliable clamping
- Fast and quiet operation
- Standard mounting plate

**REDUCE YOUR
MACHINING
CYCLE TIME
WHILE IMPROVING
PRODUCT QUALITY**

Model Number			Max. Stroke	Additional Jaws
Technical data set clamp				 <p>Smooth Jaws: can be shaped into any clamping form.</p>
ECH-202	17,5 kN	5,7 kN	8 mm	
Technical data other models				 <p>Nose Jaws: ideal for work pieces with hard or uneven surfaces.</p>
ECH-52	3,9 kN	1,2 kN	5 mm	
ECH-322	28,0 kN	9,2 kN	10 mm	
ECH-502	44,0 kN	14,5 kN	12 mm	



You will increase your machining flexibility and your rate of production with the new Enerpac hydraulic workholding starter set. Just mount the pull-down clamp onto your fixture, connect the TURBO pump and start automated clamping right away. The versatile TURBO pump with integral 4-way valve has the operating capacity to accept many more clamps. The illustration at left shows a typical multiple clamp arrangement that produces even greater productivity gains.

Your Enerpac Distributor:

Ask for your free copy of the full Enerpac Workholding Catalog and discover the many possibilities of Hydraulic Clamping.