



ENERPAC[®]
WORKHOLDING

Swing Cylinders... the choice is yours

Enerpac offers distinct designs to
meet your wide variety of needs.

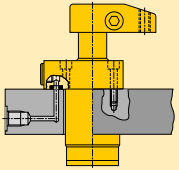
Swing cylinders... the choice is yours



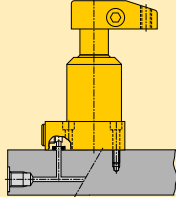
Enerpac Swing Cylinders:

- Available with right, left or no rotation
- Feature patented “No Slip” clamp arm design
- Available in four mounting styles:

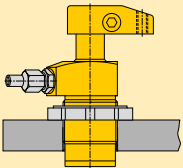
Upper flange with manifold ports



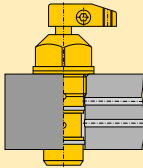
Lower flange with manifold ports



Threaded body (inch or metric)



Cartridge mount



Longer strokes and other special configurations available on request. Contact your local Enerpac representative.

USA, Latin America and Caribbean

Tel: +1 262 781 6600
Fax: +1 262 783 9562

User inquiries:

+1 800 433 2766

Distributor inquiries/orders:

+1 800 558 0530

Mexico

Tel: +52 771 71 33700

Fax: +52 771 71 35232

Toll Free:

Tel: +1 800 268 4987

Fax: +1 800 461 2456

Canada

Tel: +1 905 564 5749

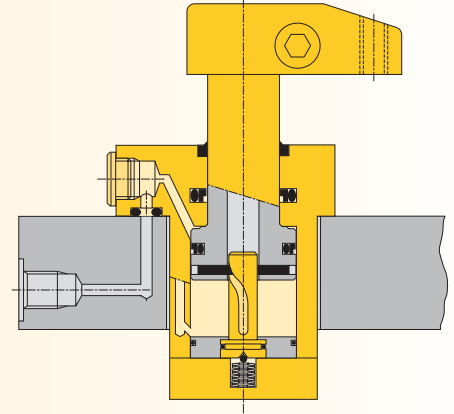
Fax: +1 905 564 0305

ENERPAC

Index rod design

Force: 1800 – 7600 lbs

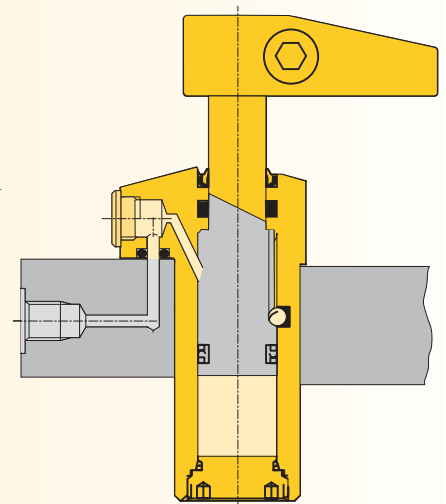
- Double index provides low height design to minimize fixture height
- High clamping capacity for holding larger, more complex parts
- Overload clutch allows clamp to disengage if needed to prevent damage due to improper part loading
- Swing direction is factory set and is not field adjustable



Ball and cam design

Force: 300 – 2600 lbs

- Rotation direction can be changed on-site to reduce spare inventory by $\frac{2}{3}$ (67%)
- Ball and cam rotation ensures smooth accurate operation
- Compact body diameter fits more clamps on fixture



Your Enerpac Distributor:

Contact Enerpac for exact dimensional information or visit www.enerpac.com.
2D and 3D CAD FILES!